

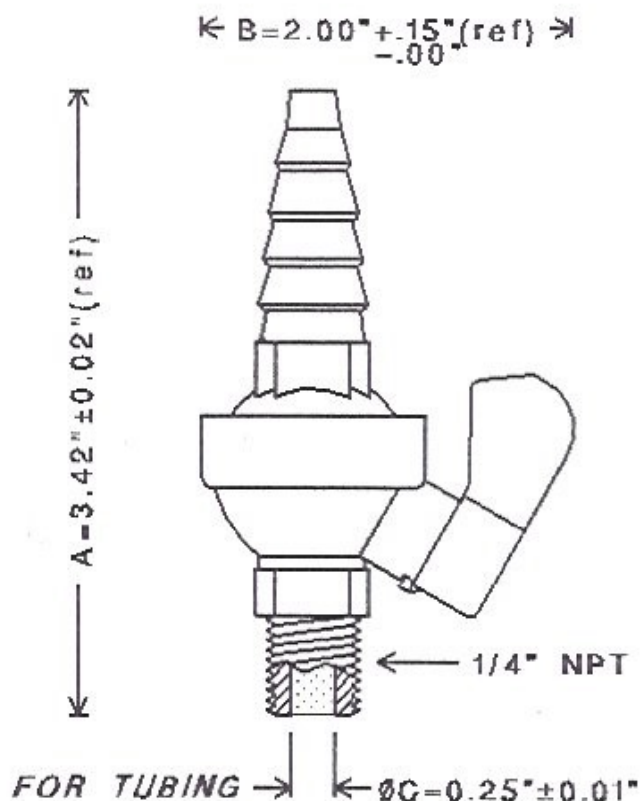
GA-MA & ASSOCIATES, INC.

Specialty products for the Radiochemistry Laboratory

P.O. Box 2918
Ocala, Florida 34478-2918
Email: gama@ga-maassociates.com

Tel: (352) 687-8840
Fax: (352) 687-2117
Email: www.ga-maassociates.com

PVC-1 O-RING VALVE



To be utilized with the GAS GA-MA Beaker. Each PVC valve has four o-rings, 1/4" NPT threaded end and a tapered hose connection for a flexible tubing

Features include:

- Easily adaptable to any type of connection
- Opens and closes with only a quarter turn
- Replaceable o-ring seats and seals
- Corrosion-resistant all thermo plastic PVC construction
- No sticking or galling
- Full port design